

# ILLUSTRATED PARTS BREAKDOWN

# PDP-11X60 16 BIT COMPUTER

## HOW TO USE THE IPB

### GENERAL

This IPB is compiled following the organization and nomenclature of the engineering drawing structure.

### MAJOR ASSEMBLY LOCATOR

The Major Assembly Locator (first illustration) is an index that provides a description and a figure reference for all illustrations used in this manual.

### INDENTED PARTS LIST

This manual identifies each assembly being broken down (figure reference callout), and all parts of that assembly. Further breakdown of an assembly is shown by an asterisk (\*) preceding the item callouts in the Description Column. The number of asterisks preceding an item is used to denote the subordination of that item with respect to the Major Assembly. A single asterisk preceding an item description indicates that the item is part of the major assembly being illustrated. Items that are subordinate to single asterisk items, are denoted by two asterisks (\*\*), and immediately follow the related single asterisk item. Additional asterisks are used, as required, to denote further subordination. This system of part identification provides a means for the user to identify the next higher assembly item and make alternate selections for parts when the required replacement part or assembly is not immediately available.

### COLUMN CALLOUT DESCRIPTION

**Figure & Item** - Indicates the figure number and item number of each part.

**Description** - Lists the name of the part and pertinent specifications (when required). Asterisks preceding the description denote the subordination of the part to the next higher assembly.

**DEC Part No.** - Lists the DEC part ordering number. A blank in this column indicates a DEC part number was not assigned at the time of publication.

**ECO Cut-In** - The notation at the top of this column indicates the ECO level of the system (option), at which the IPB was initially prepared. Subsequent ECO level designations, that modify existing parts or add new parts to the device, are inserted in the ECO Cut-In column next to the part that is added or modified. A bracket ([]) preceding the item description is used to indicate the parts affected by ECO's.

**Vendor Code/Part No.** - Indicates vendor parts that are not stocked by DEC. Refer to the Field Service Spares Catalog (vendor part number to DEC part number) for the vendor code cross-reference.

**Used On Code** - Letters in this column correspond to the variation codes assigned in Figure 1. Parts with an Alpha notation(s) are used only in those option variations. A blank indicates that the part is used on all option variations.

**Ref Fig No.** - A cross reference between illustrations. For each Major Assembly, the number in this column denotes the figure of the next higher assembly. For all subassemblies, the number in this column denotes the figure showing additional detailed breakdown.

### SYMBOL USAGE

**Hardware Designators** - Alpha designators for screws (S), washers (W), nuts (N), and retaining rings (R) are inserted after the item number callouts on the illustration when stacked item numbers are used.

**Attaching Hardware** - The @ symbol is inserted before any part that is used as attaching hardware. Attaching hardware is denoted as those parts that are not an integral part of the referenced assembly.

**(NFR) Not Field Repairable** - The (NFR) symbol is inserted after any assembly that is not to be field dismantled.

**Other Symbols** - Any other symbols that are required for kits, accessories, etc., will be explained and appear as part of the item description.

## REVISION HISTORY

## OTHER IPB MANUALS REQUIRED TO SUPPORT THIS OPTION . . . . .

PRINTING	ECO LEVEL		DATE
2nd Printing	11X60	0001A-0005B	2-29-82
	70-11587	00000-00006	
	H9504-ZA	H9504-00007	
	H9504-ZB	H9504-00007	

- EK-BA11P-IP
- EK-H9280-IP
- EK-H7240-IP
- EK-0H754-IP
- EK-0H775-IP
- EK-1160K-IP
- EK-KY11P-IP
- EK-1160W-IP
- EK-866DE-IP
- EK-1160M-IP

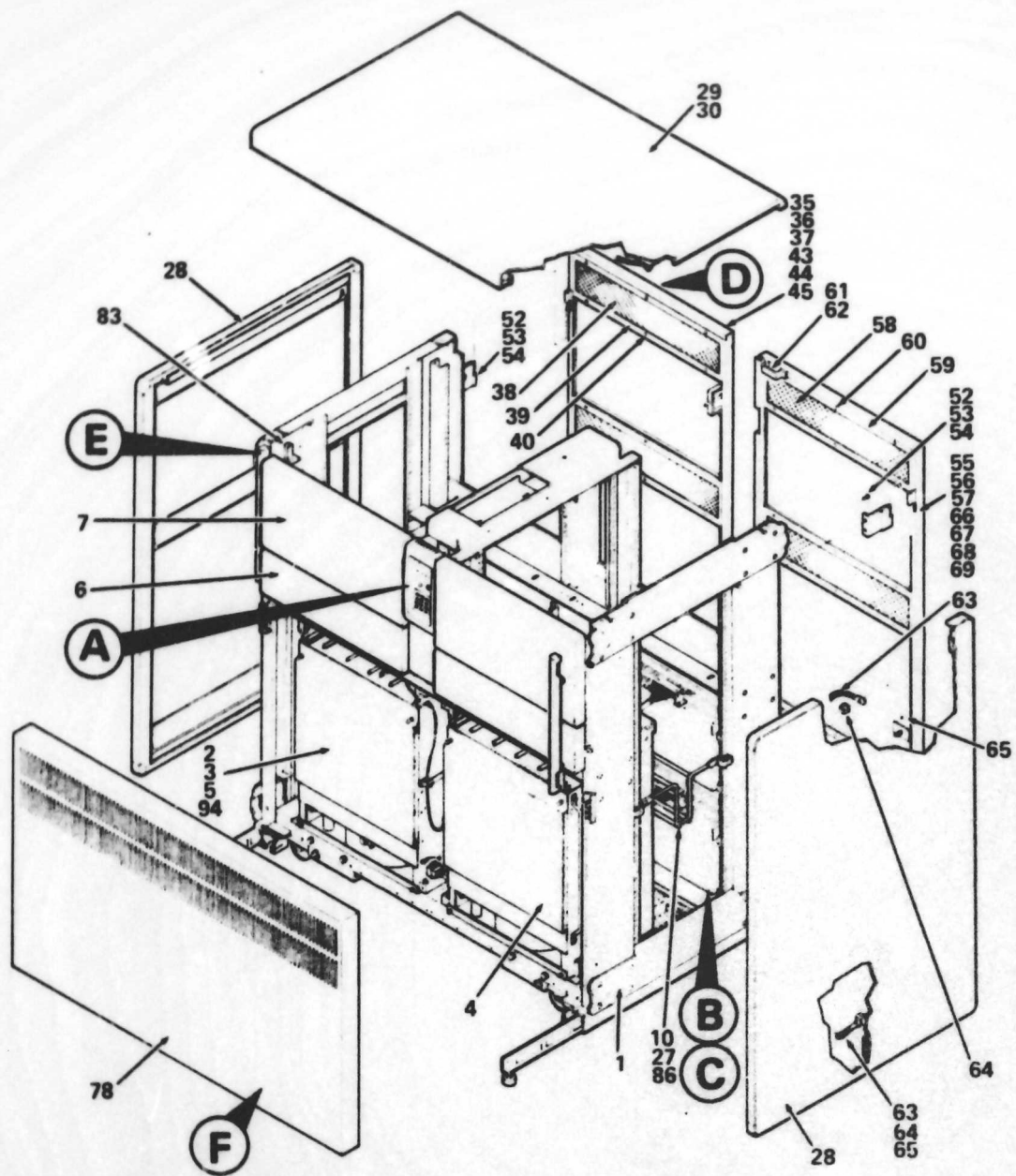
This 2nd Printing EK-11X60-IP-002  
SUPERSEDES 1st Printing EK-11X60-IP-001

Copyright © 1978, 1982 by Digital Equipment Corporation. All rights reserved.

DEC reserves the right, without notice, to make substitutions and modifications in the specifications of products documented in this manual and further reserves the right to withdraw any of these products from the market without notice.

DEC is not responsible for errors which may appear in the technical description (including illustrations and photographs) of the products covered by this manual.

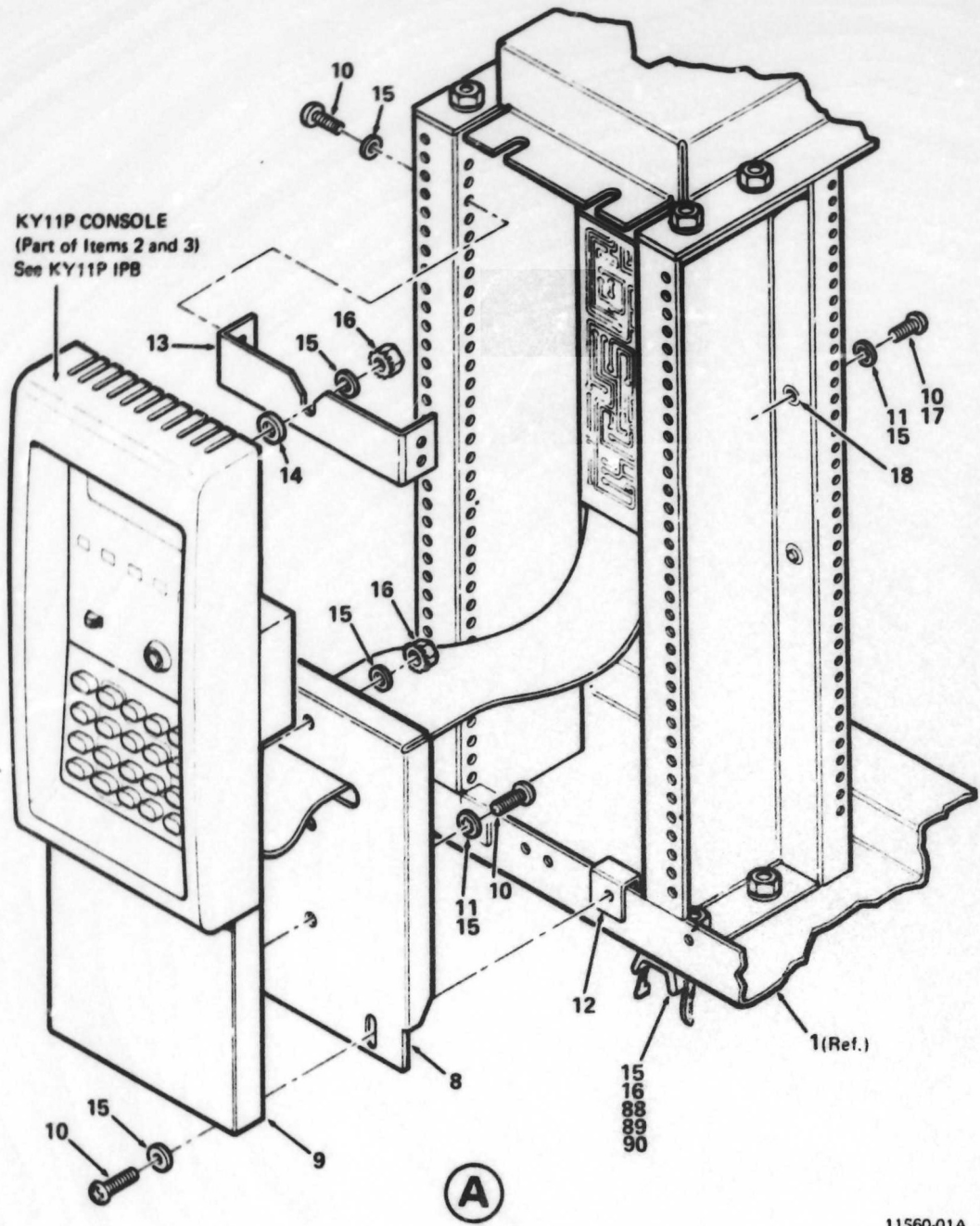
None of the descriptions contained in this manual imply the granting of any license whatsoever to make, use or sell equipment constructed in accordance therewith.



11x60 01

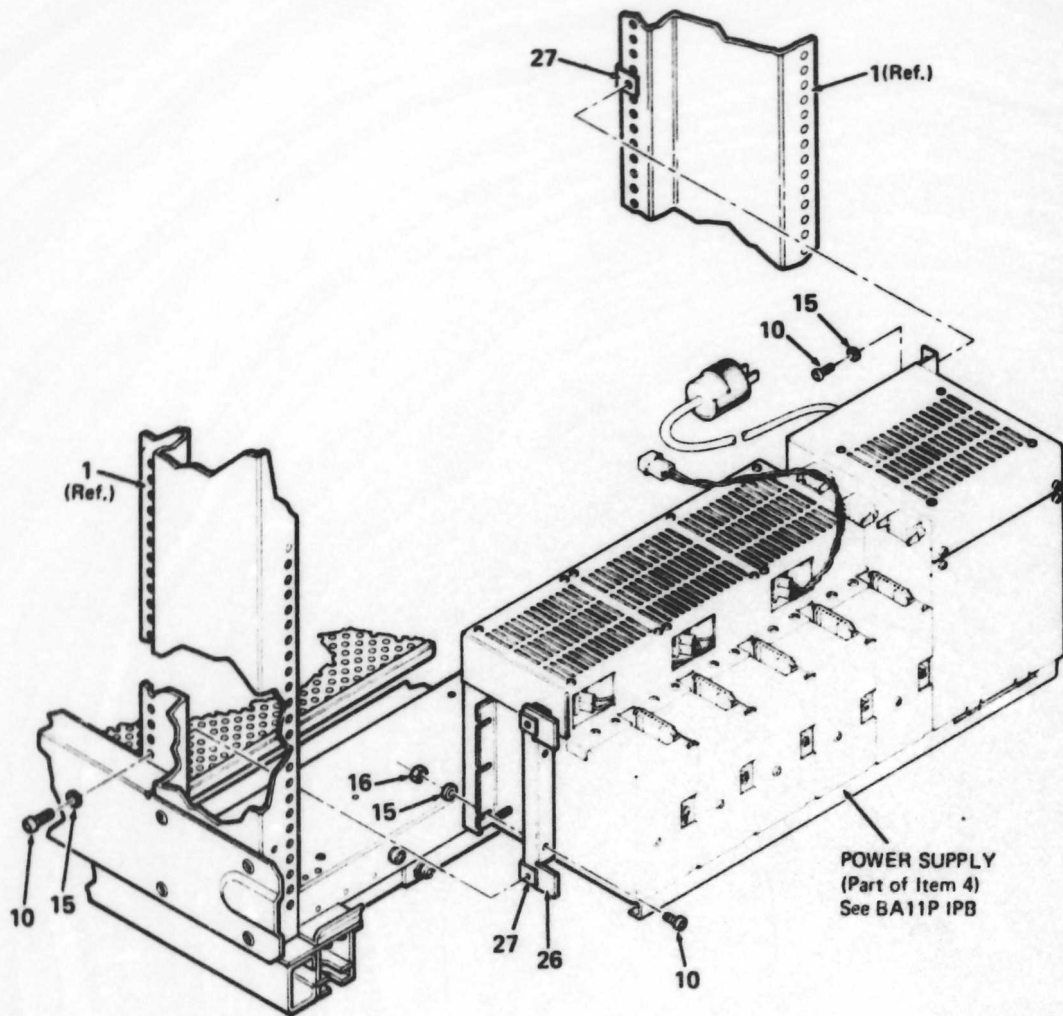
Figure 1. PDP 11X60 Unit Assembly (Sheet 1 of 7)

KY11P CONSOLE  
 (Part of Items 2 and 3)  
 See KY11P IPB



11560-01A

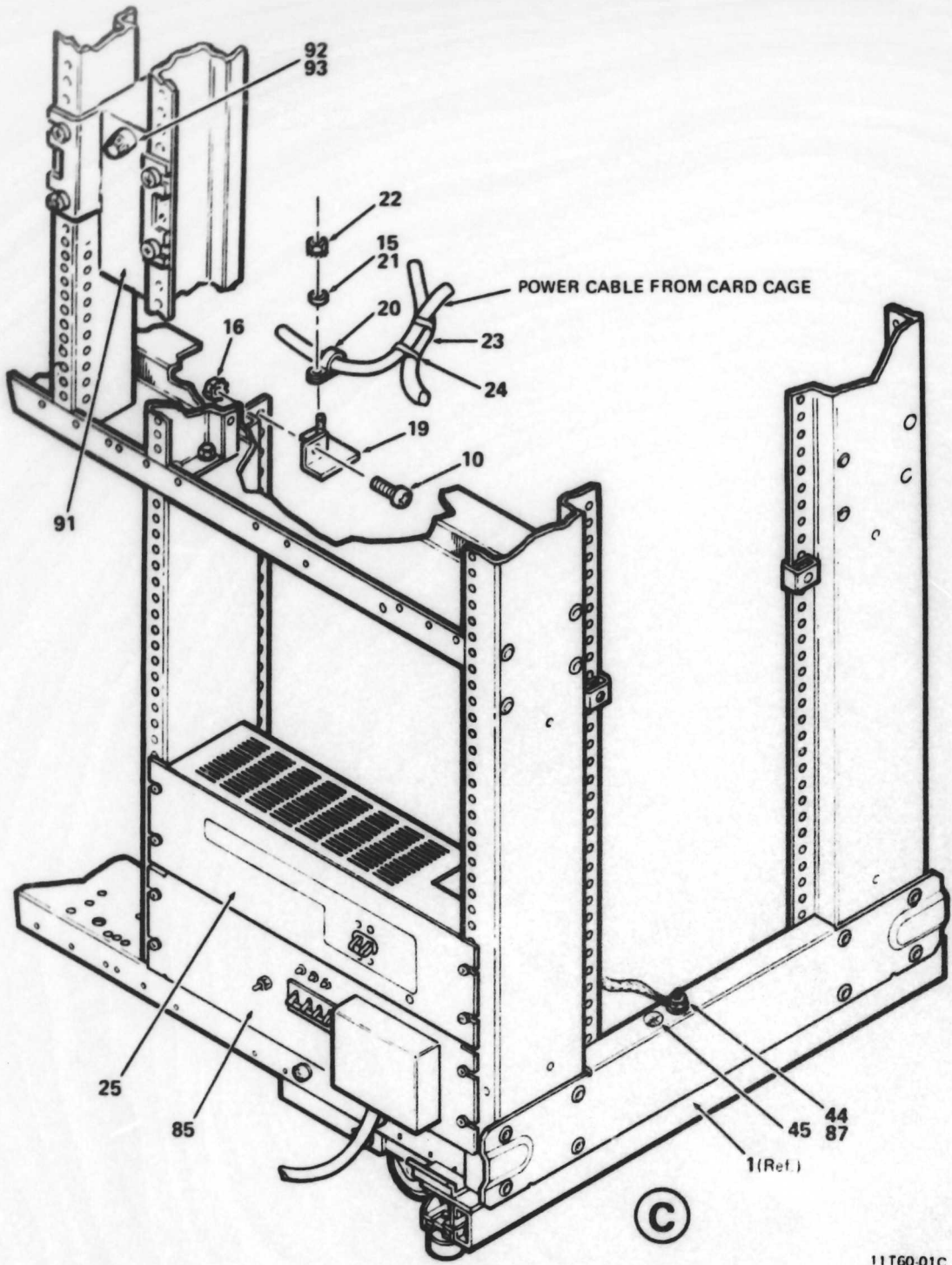
Figure 1. PDP 11X60 Unit Assembly (Sheet 2 of 7)



**B**

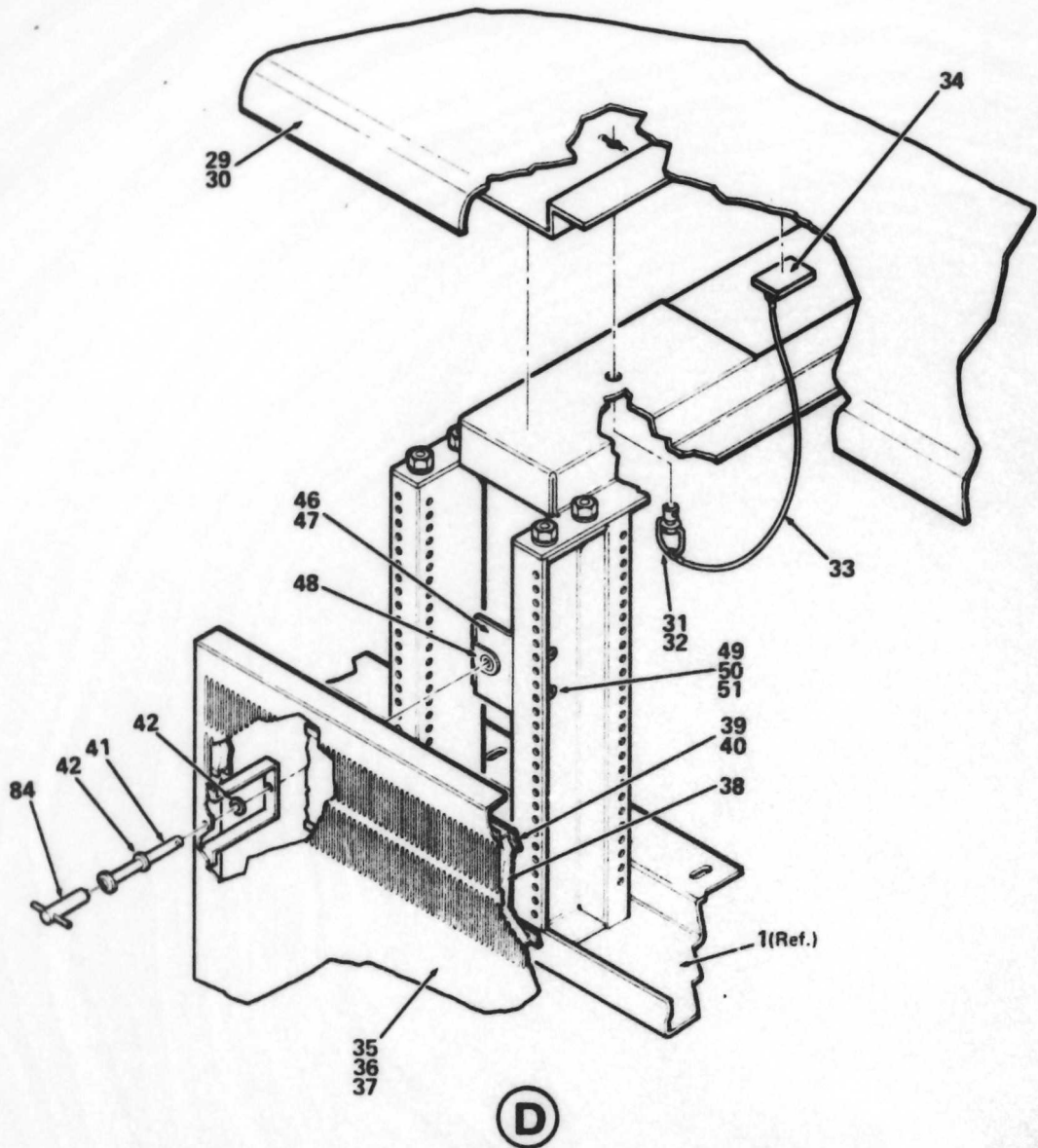
11X60-01B

Figure 1. PDP 11X60 Unit Assembly (Sheet 3 of 7)



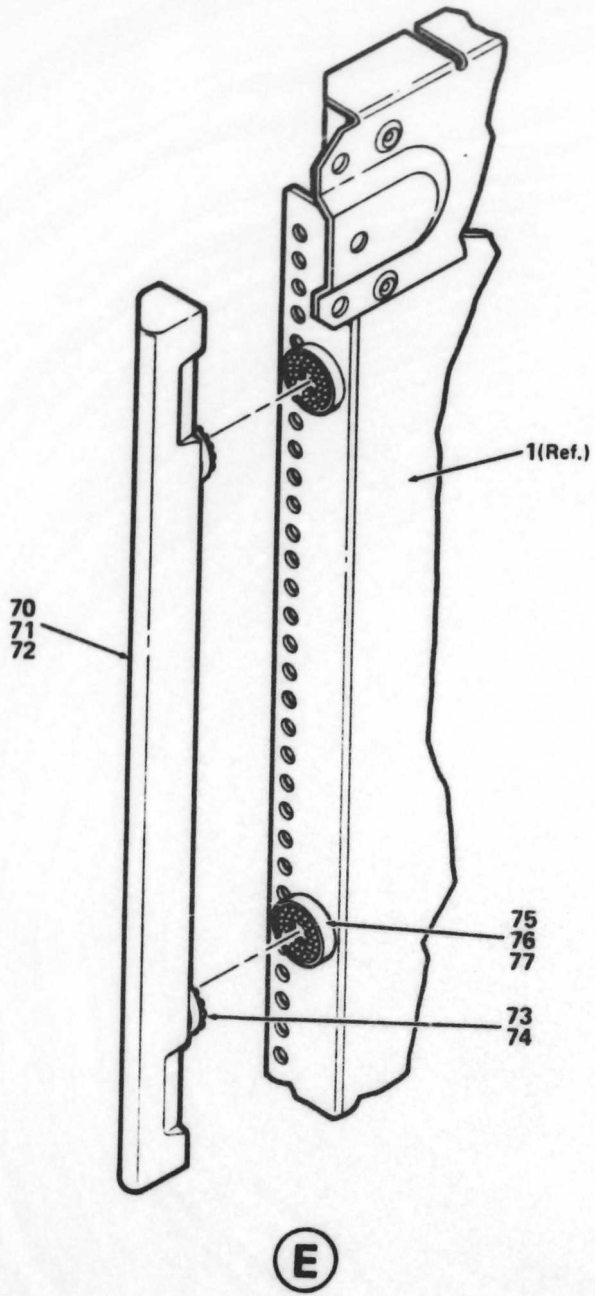
11T60-01C

Figure 1. PDP 11X60 Unit Assembly (Sheet 4 of 7)



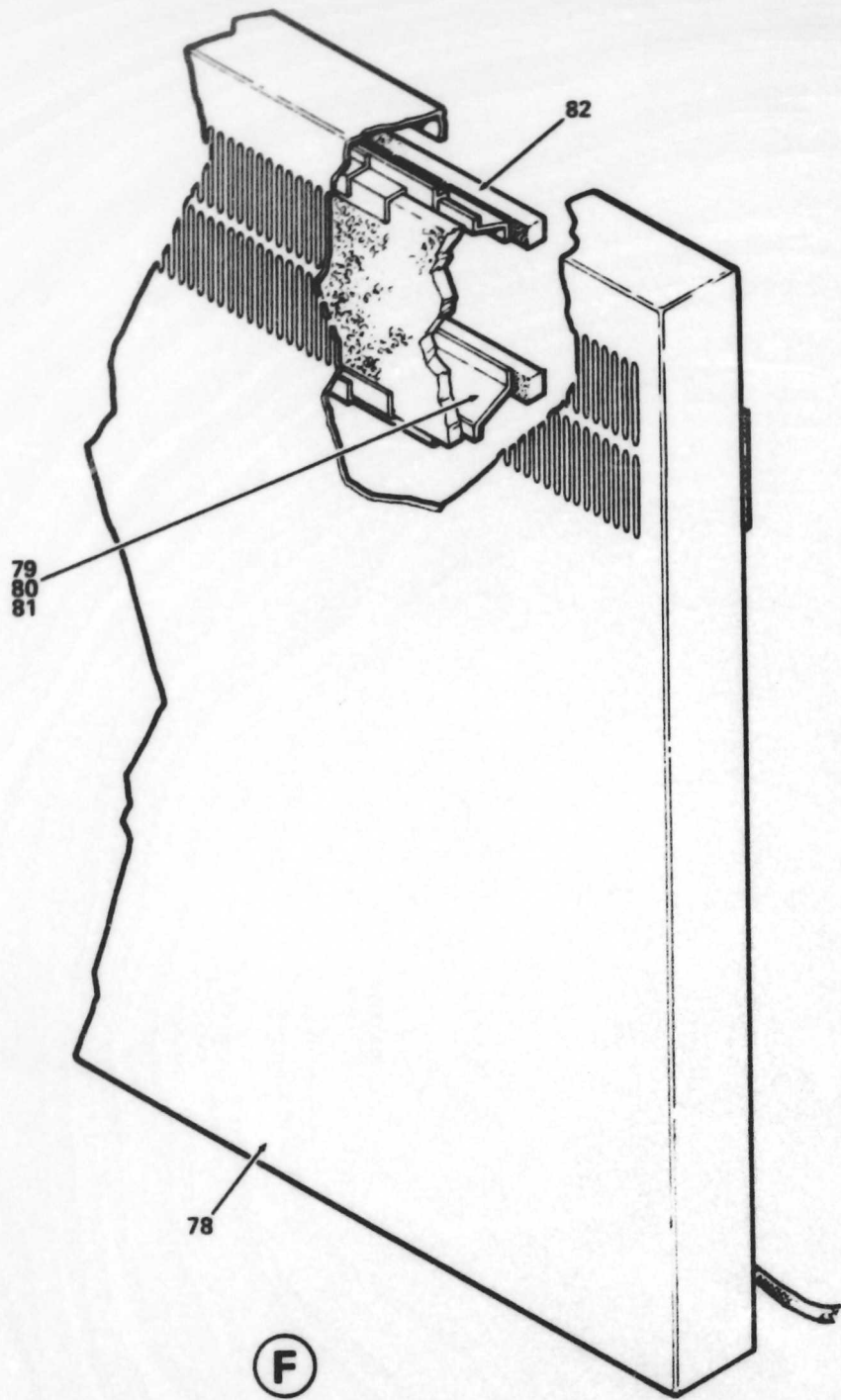
11X60-01D

Figure 1. PDP 11X60 Unit Assembly (Sheet 5 of 7)



11X60 01E

Figure 1. PDP 11X60 Unit Assembly (Sheet 6 of 7)



11S60-01F

Figure 1. PDP 11X60 Unit Assembly (Sheet 7 of 7)

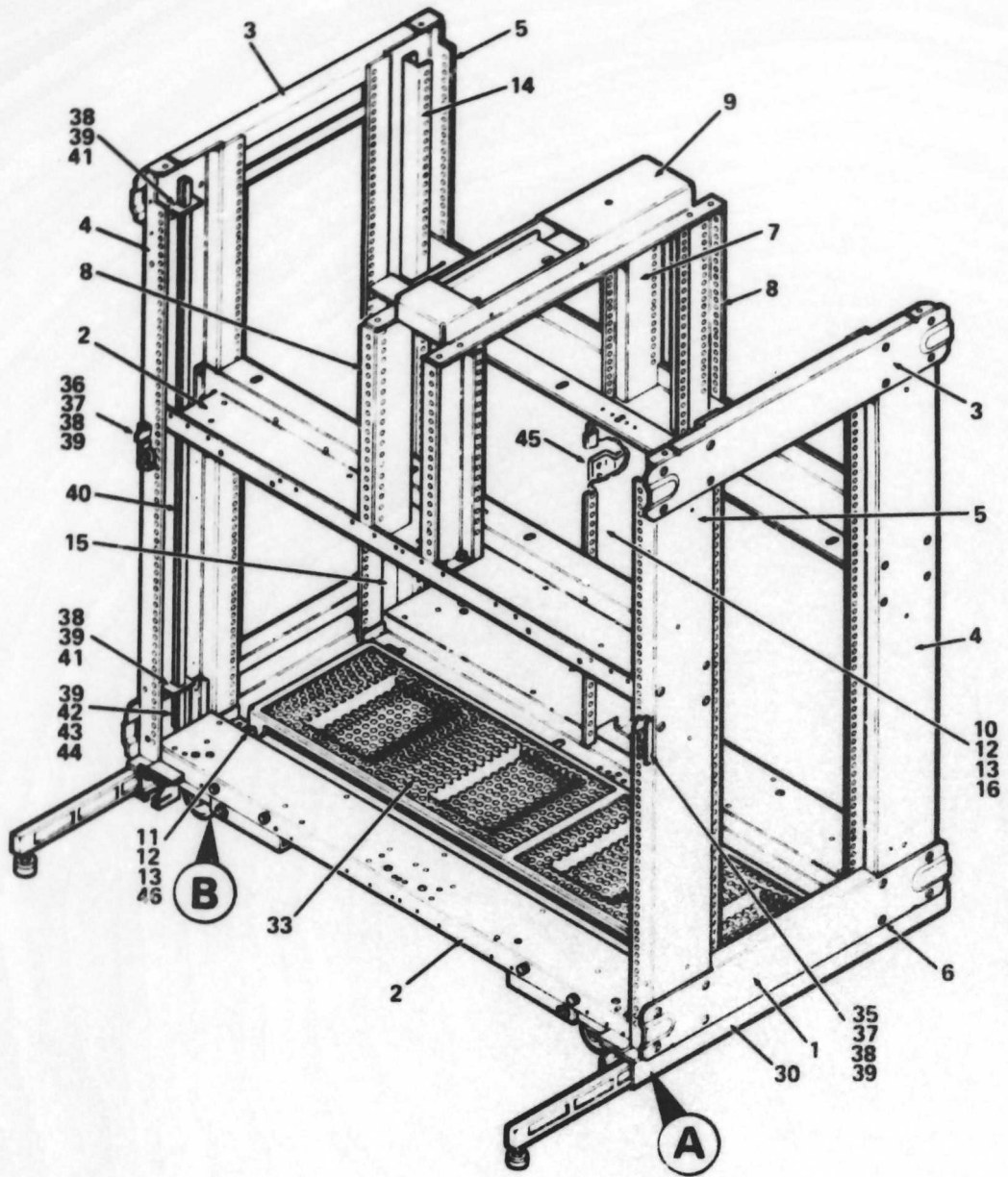


FIG. & ITEM NO.	DESCRIPTION	DEC PART NO.	ECO CUT-IN 11X60 0001A	USED ON CODE	REF FIG NO.
1-	PDP-11X60 UNIT ASSEMBLY				
	Code A - Used on Model 11X60-BA 120V	11X60-BA		A	
	Code B - Used on Model 11X60-BB 240V	11X60-BB		B	
	Code C - Used on Model 11X60-CA 120V	11X60-CA		C	
	Code D - Used on Model 11X60-CB 240V	11X60-CB		D	
	Code E - Used on Model 11X60-DA 120V (added)	11X60-DA	00004	E	
	Code F - Used on Model 11X60-DB 240V (added)	11X60-DB	00004	F	
	Code G - Used on Model 11X60-EA 120V (added)	11X60-EA	00004	G	
	Code H - Used on Model 11X60-EB 240V (added)	11X60-EB	00004	H	
	Code J - Used on Model 11X60-FA 120V (added)	11X60-FA	00005	J	
	Code K - Used on Model 11X60-FB 240V (added)	11X60-FB	00005	K	
1	*FRAME ASSEMBLY (Double LoBoy)	70-11587-02			2
2	*1160W UNIT ASSEMBLY 120V See 1160W IPB Manual	1160W-AA		AE	
	*1160W UNIT ASSEMBLY 240V	1160W-AB		BF	
3	*1160K UNIT ASSEMBLY 120V See 1160K IPB Manual	1160K-AA		CG	
	*1160K UNIT ASSEMBLY 240V	1160K-AB		DH	
4	*BA11P EXPANDER BOX 120V See BA11P IPB Manual	BA11-PE		A	
	*BA11P EXPANDER BOX 240V	BA11-PF		B	
5	*Air Deflector	12-13314-00			
6	*Bezel, Blank (5-1/4")	H9504-SA			
7	*Bezel, Blank (10-1/2")	H9504-UA			
8	*Plate, Console Mounting	74-19056-00			
9	*Panel, Blank Vertical (5-1/4")	74-15771-07			
10	*Screw, Phl Truss Hd No. 10-32 x 1/2 (deleted)	90-06073-03			
	*Screw, Sems Phl Truss Hd No. 10-32 x 1/2 (added)	90-09700-00	00002		
11	*Washer, Int Tooth Lock No. 10 (deleted)	90-06635-00	00002		
12	*Nut-Clip, Floating No. 10-32	90-09923-00			
13	*Bracket, Console Mounting	74-19055-00			
14	*Spacer, 5/16 OD x .194 ID x 1/8	90-09922-00			
15	*Washer, Flat .437 OD x .21 ID x .06	90-06664-00			
16	*Nut, Kep No. 10-32	90-06565-00			
17	*Screw, Phl Truss Hd No. 10-32 x 1/4 (deleted)	90-09248-03	00002		
18	*Insert, Snap-In	90-09789-01			
19	*Bracket, Power Cable	74-17519-00			
20	*Cable Clamp	90-07001-00			
21	*Washer, Flat .437 OD x .187 ID x .03 (deleted)	90-06661-00			
22	*Nut, Kep No. 8-32	90-06563-00			
23	*Tubing, Black Zipper (Deleted from this Assy. - Now part of Harness Assy.)	90-07730-00	00001		
24	*Cable Tie	90-07032-00			
25	*BATTERY BACK-UP ASSEMBLY 120V See H775 IPB	H775-BA		CGJ	
	*BATTERY BACK-UP ASSEMBLY 240V	H775-BB		DHK	

FIG. & ITEM NO.	DESCRIPTION	DEC PART NO.	ECO CUT-IN 11X60 0001A	USED ON CODE	REF FIG NO.
1-					
26	*Bracket, Power Supply Mounting	74-15640-00			
27	*Retainer, U-Nut No. 10-32	90-07786-00			
28	*END PANEL, Double LoBoy	H9504-DA			
29	*TOP COVER ASSEMBLY	H9504-NA			
30	**Top Cover (Light Gray)	70-11552-00			
31	**Lock Stud Assembly	74-14622-00			
32	***Stud, Ring Head	12-12972-00			
33	***Cable, Retaining	12-12907-00			
34	***Tie Mount, Adhesive Backed	90-08264-00			
35	*REAR DOOR ASSEMBLY (Right Rear LoBoy)	H9504-FA			
36	**Door Assembly (Right Rear)	70-12213-00			
37	***Door (Weldment)	70-11781-00			
38	**Filter, Air	12-13096-00			
39	***Cover, Filter	74-15446-00			
40	***Screw, Sems Slotted Hd No. 10-32 x 3/8	90-06444-00			
41	***Stud, Spanner	12-13089-00			
42	***Grommet, Half	12-12972-03			
43	***Ground Strap	74-15578-00			
44	***Nut, Kep No. 1/4-20	90-08203-01			
45	***Label, Ground	36-13272-00			
46	*SPRING RECEPTACLE ASSEMBLY	74-16224-00			
47	**Bracket, Spring Receptacle	74-15308-00			
48	***Receptacle, Spring	12-12972-02			
49	*Screw, Phl Pan Hd No. 10-32 x 1/2	90-06073-01			
50	**Washer, Flat .218 ID	90-06664-00			
51	**Nut, Hex No. 10-32 (Nylock)	90-08059-00			
52	*Screw, Phl Pan Hd No. 1/4-20 x 1/2	90-06056-01			
53	**Washer, Flat .281 ID	90-06676-00			
54	**Nut, Hex No. 1/4-20 (Nylock)	90-07897-00			
55	*REAR DOOR ASSEMBLY (Left Rear LoBoy)	H9504-JA			
56	**Door Assembly (Left Rear)	70-12232-00			
57	***Door (Weldment)	70-11775-01			
58	**Filter, Air	12-13096-00			
59	***Cover, Filter	74-15446-00			
60	***Screw, Sems Slotted Hd No. 10-32 x 3/8	90-06444-00			
61	***Stop, Rear Door	74-14971-00			
62	***Rivet 3/16 OD	90-09241-00			
63	***Ground Strap	74-15578-00			
64	***Nut, Kep No. 1/4-20	90-08203-01			
65	***Ground Label	36-13272-00			
66	**Bracket, Door Stop	74-18361-00			
67	*Screw, Phl Pan Hd No. 1/4-20 x 1/2	90-06056-01			
68	**Washer, Flat .281 ID	90-06676-00			

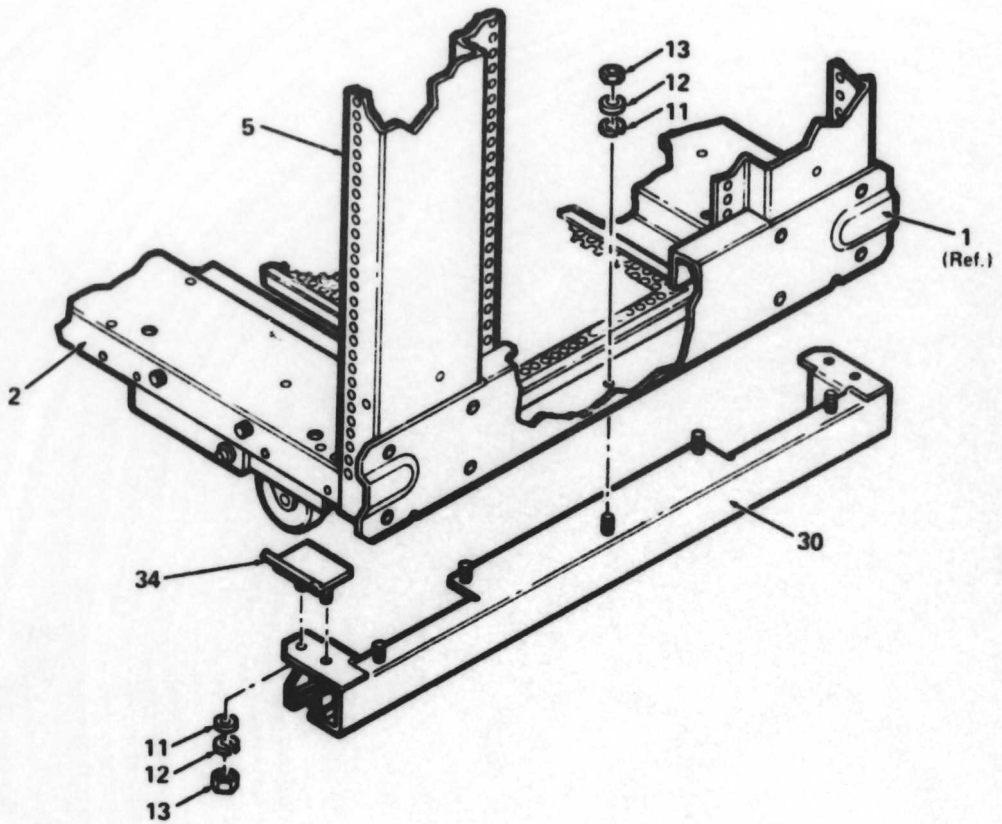
FIG. & ITEM NO.	DESCRIPTION	DEC PART NO.	ECO CUT-IN 11X60 0001A	USED ON CODE	REF FIG NO.
1-					
69	**Nut, Hex No. 1/4-20 (Nylock)	90-07897-00			
70	*TRIM STRIP ASSEMBLY (LoBoy)	H9504-YB			
71	**TRIM STRIP ASSEMBLY (LoBoy)	70-11638-01			
72	***Trim Strip	12-12964-01			
73	***Fastener, Hedlock .75 Dia.	90-09712-00			
74	***Screw, Self-Tapping No. 6-32	90-08181-01			
75	**Fastener, Hedlock .75 Dia.	90-09712-00			
76	**Screw, Phl Pan Hd Machine No. 6-32	90-06023-01			
77	**Insert, Snap-In Threaded No. 6-32	90-09789-01			
78	*FRONT COVER ASSEMBLY (Lt. Gray) (added)	H9504-RA	00002		3
	*FRONT COVER ASSEMBLY (Blue Mullen) (added)	H9504-RB	00002		3
	*FRONT COVER ASSEMBLY (Blue Mullen w/Silk Screen) (added)	H9504-RC	00002		3
	*FRONT COVER ASSEMBLY (Blue Mullen w/Silk Screen System 48) (added)	H9504-RD	00002		3
	*FRONT COVER ASSEMBLY (Prefer Red) (added)	H9504-RE	00002		3
	*FRONT COVER ASSEMBLY (Prefer Red w/Silk Screen)	H9504-RF			
	*FRONT COVER ASSEMBLY (Dark Gray) (added)	H9504-RG	00002		3
79	*AIR DUCT ASSEMBLY	H9514-CA			
80	**AIR DUCT ASSEMBLY	70-12838-00			
81	***Air Duct	74-15894-00			
82	**Foam Tape (39.25" Long)	90-08274-00			
83	*INTERLOCK KIT ASSEMBLY LH See Note	H9504-ZA			4
	*INTERLOCK KIT ASSEMBLY RH	H9504-ZB			4A
84	*Spanner Wrench	12-13091-00			
85	*866 POWER CONTROLLER 120V (added) See 866 IPB	866-D	00002	ACEGJ	
	*866 POWER CONTROLLER 240V (added)	866-E	00002	BDFHK	
86	*Bracket, Cable Trough (added)	12-13092-01	00002		
87	*Ground Cable (added)	74-15578-01	00002		
88	*Cable Tie (added)	90-09617-00	00002		
89	*Screw, Phl Truss Hd No. 10-32 x 5/8 (added)	90-06074-03	00002		
90	*Mount, Cable Tie (added)	90-09911-00	00002		
91	*CABLE TRANSFORMER ASSEMBLY (added)	70-15910-00	00003	DHK	
92	**Fuse Holder, 20A 300V	12-12893-00			
93	**Fuse, Slo-Blo, 5A 250V	90-07222-00			
94	*1160M UNIT ASSEMBLY 120V (added) See 1160M IPB	1160M-AA	00005	J	
	*1160M UNIT ASSEMBLY 240V (added)	1160M-AB	00005	K	
	Note: Interlock Kit used if there is any Slide Mount Devices in the Cabinet.				
	Modules (Not Shown)				
	*16K 39 Bit MOS Memory Array (added)	MS11-KE	00005	GH	
	*32K 18 Bit Memory (added)	MM11-WP	00005	EF	





11560-02

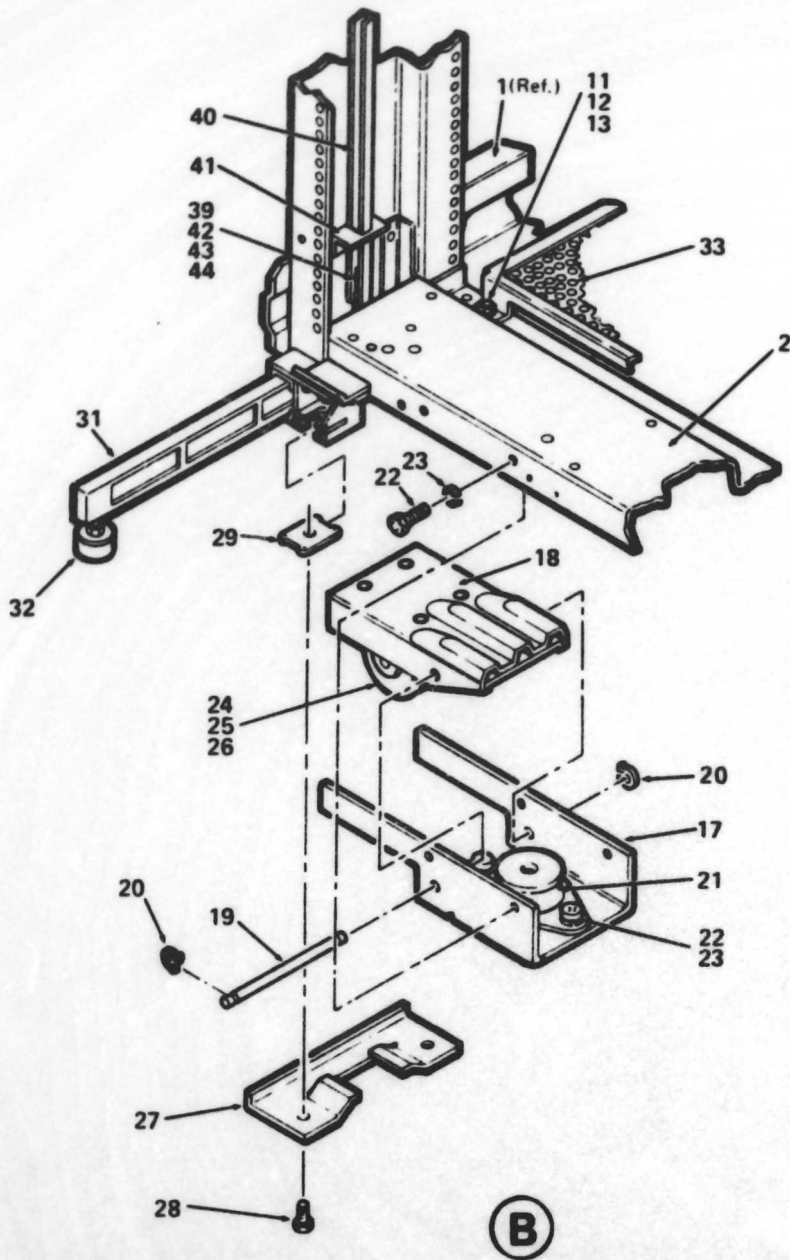
Figure 2. Frame Assembly (Double LoBoy) (Sheet 1 of 3)



(A)

11560 02A

Figure 2. Frame Assembly (Double LoBoy) (Sheet 2 of 3)



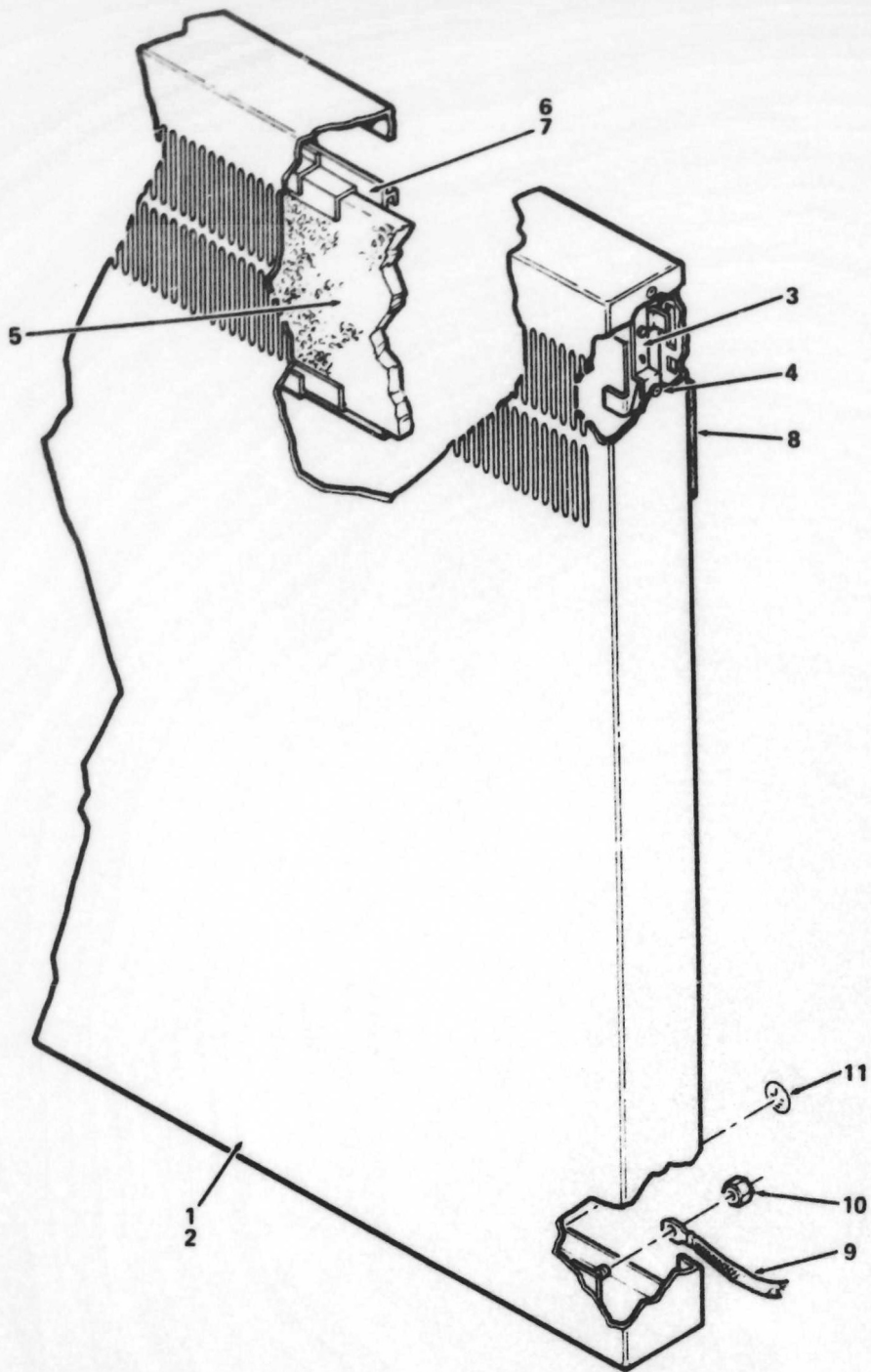
11500-02b

Figure 2. Frame Assembly (Double LoBoy) (Sheet 3 of 3)

FIG. & ITEM NO.	DESCRIPTION	DEC PART NO.	ECO CUT-IN H9501 G0002	USED ON CODE	REF FIG NO.
2-	FRAME ASSEMBLY (Double LoBoy)	70-11587-02			1
1	*Lateral, Bottom	74-13635-00			
2	*Horizontal	74-13644-00			
3	*Lateral, Top	74-13435-01			
4	*Vertical LH	74-18243-00			
5	*Vertical RH	74-18243-01			
6	*Pop Rivet 1/4"	90-09595-00			
7	*Vertical, Center RH	74-16883-00			
8	*Vertical, Center LH	74-16883-01			
9	*Weldment, Hat Section	70-12812-00			
10	*Screw, Phl Truss Hd No. 1/4-20 x 3/4	90-06058-03			
11	*Washer, Flat (.281 ID)	90-07792-00			
12	*Washer, Helical Spring Lock 1/4" (deleted)	90-07797-00	70-11587 00004		
13	*Nut, Hex No. 1/4-20	90-08203-00			
14	*Post, Rear Mounting (Top)	74-17731-00			
15	*Post, Rear Mounting (Bottom)	74-17731-01			
16	*Support, Power Supply Center	74-15637-00			
17	*Bracket, Hanger	74-14090-01			
18	*Arm, Isolator Pivot	70-11294-00			
19	*Pin, Pivot	74-13998-00			
20	*Retaining Ring, External	90-09580-02			
21	*Shock Isolator	12-12503-00			
22	[*Screw, Hex Hd Cap No. 3/8-16 x 1 (deleted)	90-08922-09			
	[*Screw, Hex Hd Cap No. 3/8-16 x 1/2 (added)	90-00043-10	70-11587 00005		
23	*Washer, Helical Spring Lock (3/8)	90-07788-00			
24	*Caster	12-05835-01			
25	[*Screw, Phl Truss Hd No. 5/16-18 x 11/16 (deleted)	90-07781-03			
	[*Screw, Phl Truss Hd No. 5/16-18 x 1/2 (added)	90-00040-01	70-11587 00005		
26	[*Washer, Int Tooth Lock 5/16 (deleted)	90-06638-00			
	[*Washer, Ext Tooth Lock 5/16 (added)	90-10150-00	70-11587 00005		
27	*Bracket, Wheel Lock	74-17593-00			
28	*Screw, Hex Hd No. 1/2-13 x 3/4	90-00043-02			
29	*Nut, Leveler No. 1/2-13	90-08878-00			
30	*Stabilizer Sleeve Assembly	70-11784-00			
31	*Arm, Stabilizer	74-14087-00			
32	[*Foot, Leveler Cushion (1/2-13) (deleted)	90-07600-00			
	[*Foot, Leveler Cushion (1/2-13) (added)	90-00022-01	70-11587 00004		
33	[*Screen Assembly (deleted)	70-11964-00			
	[*Screen Assembly (added)	70-17840-00	70-11587 00006		



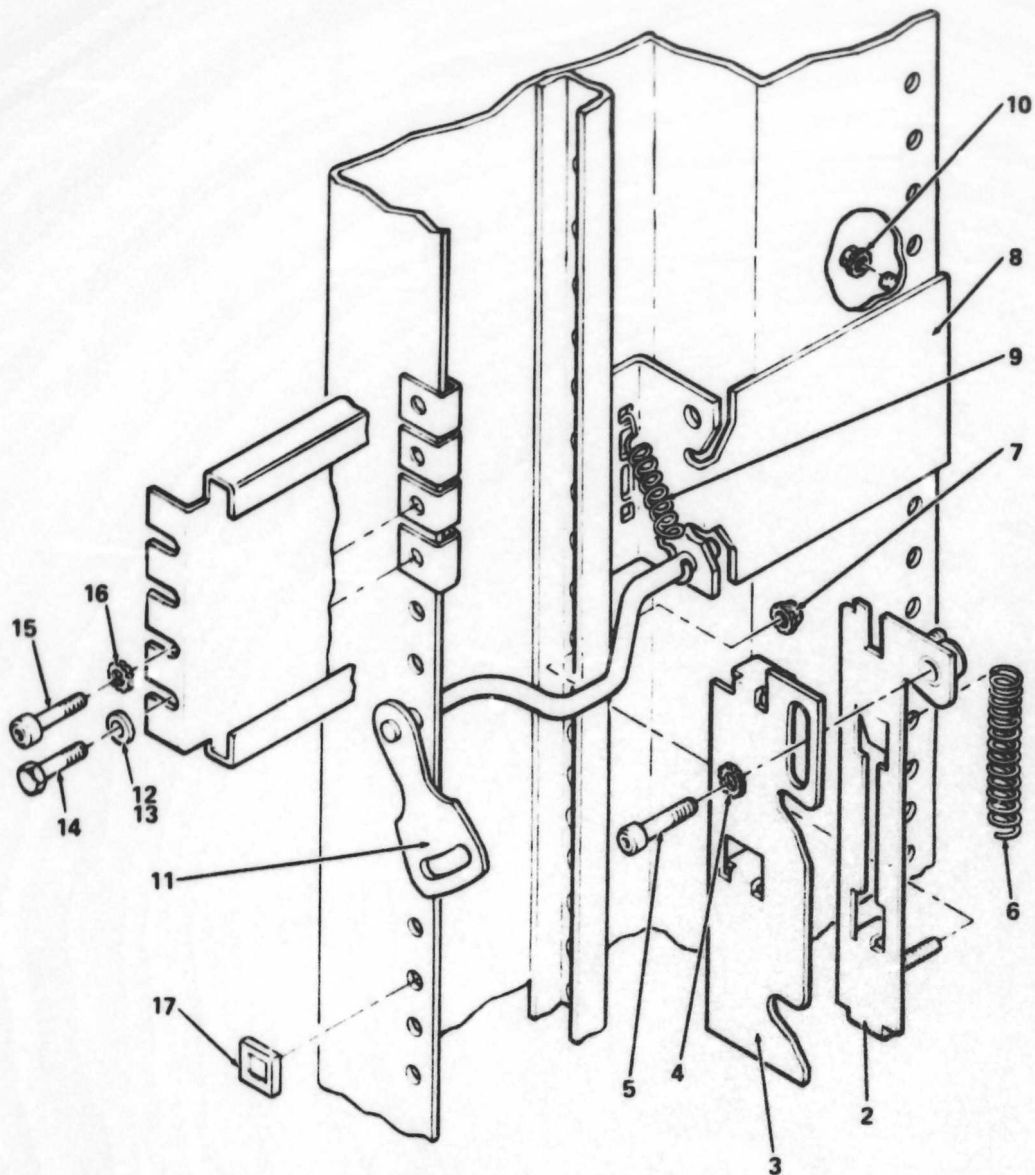
FIG. & ITEM NO.	DESCRIPTION	DEC PART NO.	ECO CUT-IN H9501 00002	USED ON CODE	REF FIG NO.
2-					
34	* Catch, Panel	74-14841-00			
35	* Bracket, Catch (LH)	74-14839-00			
36	* Bracket, Catch (RH)	74-14839-01			
37	* Insert, Snap-In Threaded	90-09789-01			
38	* Screw, Phi Pan Hd No. 10-32 x 1/2	90-06073-01			
39	* Washer, Helical Spring Lock No. 10	90-07906-00			
40	* Rod, Interlock	74-17371-00			
41	* Bracket, Guide	74-16523-00			
42	* Cam, Follower	74-16679-00			
43	* Washer, Flat .437 OD x .218 ID x .062	90-06664-00			
44	* Nut, Hex No. 10-32	90-06564-00			
45	* Post, Distribution Panel Mounting (added)	74-19464-00	H9501 00003		
46	* Spacer, Screen (added)	74-24691-00	70-11587 00006		
	Labels (Not Shown)				
	* Label, "Push" (added)	36-14605-01	70-11587 00003		
	* Label, "Do Not Push" (added)	36-14603-01	70-11587 00003		
	* Label, "High Charge" (added)	36-14604-01	70-11587 00003		



11S60 03

Figure 3. Front Cover Assembly

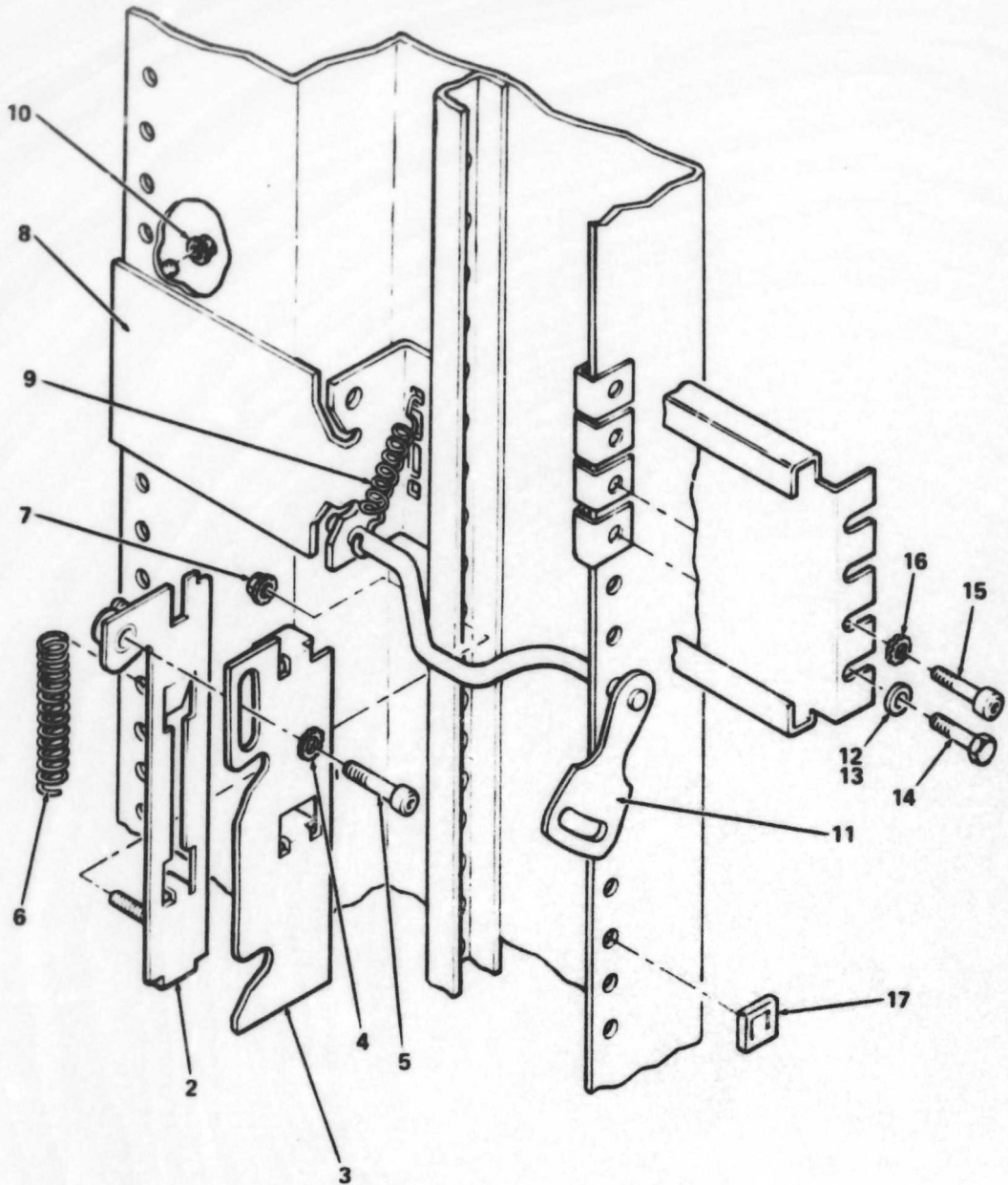
FIG. & ITEM NO.	DESCRIPTION	DEC PART NO.	ECO CUT-IN H9504-R 00002	USED ON CODE	REF FIG NO.
3-	FRONT COVER ASSEMBLY (Lt. Gray) (added)	H9504-RA	00002	A	1
	FRONT COVER ASSEMBLY (Blue Mullen) (added)	H9504-RB	00002	B	1
	FRONT COVER ASSEMBLY (Blue Mullen w/Silk Screen (added)	H9504-RC	00002	C	1
	FRONT COVER ASSEMBLY (Blue Mullen w/Silk Screen System 48) (added)	H9504-RD	00002	D	1
	FRONT COVER ASSEMBLY (Prefer Red) (added)	H9504-RE	00002	E	1
	FRONT COVER ASSEMBLY (Prefer Red w/Silk Screen)	H9504-RF		F	1
	FRONT COVER ASSEMBLY (Dark Gray) (added)	H9504-RG	00002	G	1
				(See Note)	
1	*FRONT COVER ASSEMBLY (Lt. Gray)	70-12221-00		A	
	*FRONT COVER ASSEMBLY (Blue Mullen)	70-12221-01		B	
	*FRONT COVER ASSEMBLY (Blue Mullen w/Silk Screen)	70-12221-02		C	
	*FRONT COVER ASSEMBLY (Blue Mullen w/Silk Screen System 48)	70-12221-03		D	
	*FRONT COVER ASSEMBLY (Prefer Red)	70-12221-04		E	
	*FRONT COVER ASSEMBLY (Prefer Red w/Silk Screen)	70-12221-05		F	
	*FRONT COVER ASSEMBLY (Dark Gray)	70-12221-06		G	
2	**Front Cover Weldment (Lt. Gray)	70-12222-00		A	
	**Front Cover Weldment (Blue Mullen)	70-12222-02		B	
	**Front Cover Weldment (Blue Mullen w/Silk Screen)	70-12222-04		C	
	**Front Cover Weldment (Blue Mullen w/Silk Screen System 48)	70-12222-06		D	
	**Front Cover Weldment (Prefer Red)	70-12222-08		E	
	**Front Cover Weldment (Prefer Red w/Silk Screen)	70-12222-09		F	
	**Front Cover Weldment (Dark Gray)	70-12222-13		G	
3	**Latch Assembly LH	70-11837-00			
	**Latch Assembly RH	70-11837-01			
4	**Rivet, Blind .187 Dia.	90-09241-00			
5	**Filter, Air	12-13096-03			
6	**Cover, Filter	74-15452-00			
7	**Screw, Sems Slotted Hd No. 10-32 x 3/8	90-06444-00			
8	**Strip, Bumper	74-16140-00			
9	**Ground Strap	74-15578-00			
10	**Nut, Kep No. 1/4-20	90-08203-01			
11	**Label, "Ground"	36-13272-00			
	Note: The Used on Code applies to this figure only.				



11T60-04

Figure 4. Interlock Kit Assembly LH

FIG. & ITEM NO.	DESCRIPTION	DEC PART NO.	ECO CUT-IN H9504 00007	USED ON CODE	REF FIG NO.
4-	INTERLOCK KIT ASSEMBLY LH	H9504-ZA			1
1	*INTERLOCK KIT ASSEMBLY LH	70-13688-00			
2	**Plate, Back LH	74-16221-00			
3	**Plate, Cam LH	74-16424-00			
4	**Washer, Spring	12-13780-00			
5	**Screw, Soc Hd Cap No. 1/4-20 x 1/2	90-06370-08			
6	**Spring, Compression	12-13778-00			
7	**Nut, Kep No. 10-32	90-06565-00			
8	**Bracket, Outrigger	74-16556-00			
9	**Spring, Extension	12-13779-00			
10	**Nut, Kep No. 1/4-20	90-08203-00			
11	**Churchkey Assembly	70-13667-00			
12	**Washer, Flat No. 10 (Used when Item 14 is mounted through a Slide Mounting Hole)	90-06664-00			
13	**Washer Nylon Shoulder (Used when Item 14 is <u>not</u> mounted through a Slide Mounting Hole)	90-09739-00			
14	**Retainer, Interlock	74-16222-00			
15	**Screw, Soc Hd Cap No. 10-32 x 1/2	90-06346-00			
16	**Washer, Ext. Tooth No. 10	90-07651-00			
17	**Bumper, Rubber	12-09750-00			
18	**Key, Hex (Not Shown)	74-17977-00			



11T60-04A

Figure 4A. Interlock Kit Assembly RH

FIG. & ITEM NO.	DESCRIPTION	DEC PART NO.	A ECO CUT-IN H9504 00007	USED ON CODE	REF FIG NO.
4A-	INTERLOCK KIT ASSEMBLY RH	H9504-ZB			1
1	*INTERLOCK KIT ASSEMBLY RH	70-13688-01			
2	**Plate, Back RH	74-16221-01			
3	**Plate, Cam RH	74-16424-01			
4	**Washer, Spring	12-13780-00			
5	**Screw, Soc Hd Cap No. 1/4-20 x 1/2	90-06370-08			
6	**Spring, Compression	12-13778-00			
7	**Nut, Kep No. 10-32	90-06565-00			
8	**Bracket, Outtrigger	74-16556-00			
9	**Spring, Extension	12-13779-00			
10	**Nut, Kep No. 1/4-20	90-08203-00			
11	**Churchkey Assembly	70-13667-00			
12	**Washer, Flat No. 10 (Used when Item 14 is mounted through a Slide Mounting Hole)	90-06664-00			
13	**Washer, Nylon Shoulder (Used when Item 14 is <u>not</u> mounted through a Slide Mounting Hole)	90-09739-00			
14	**Retainer, Interlock	74-16222-00			
15	**Screw, Soc Hd Cap No. 10-32 x 1/2	90-06346-00			
16	**Washer Ext. Tooth No. 10	90-07651-00			
17	**Bumper, Rubber	12-09750-00			
18	**Key, Hex (No: Shown)	74-17977-00			
					DEC